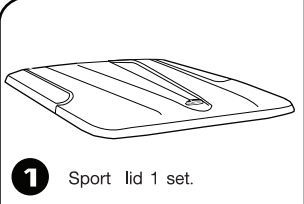
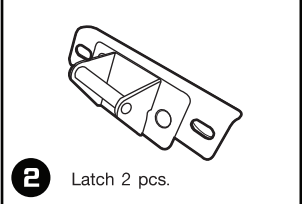
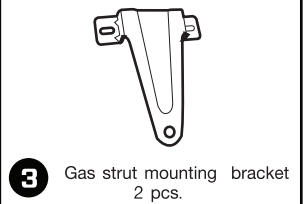

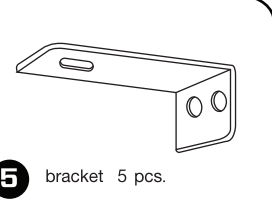
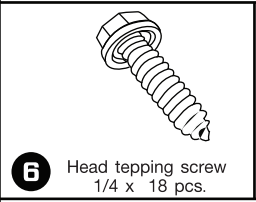
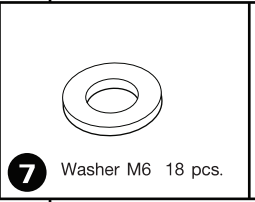
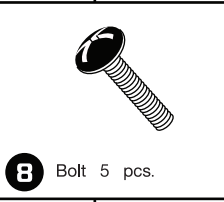
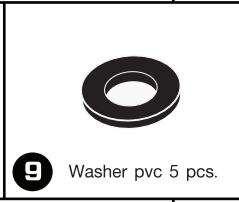
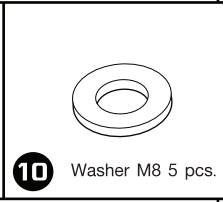
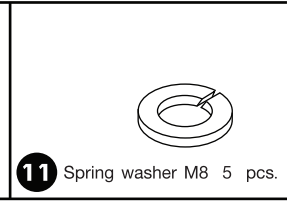
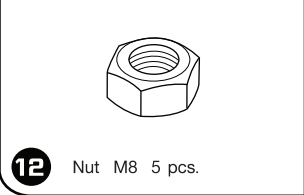
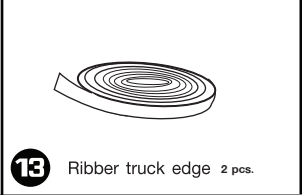
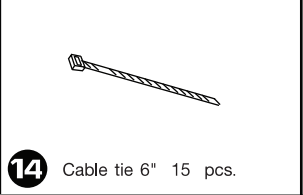



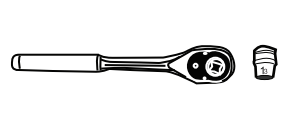
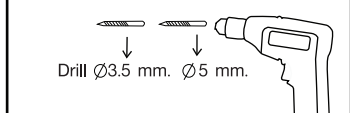
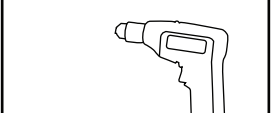
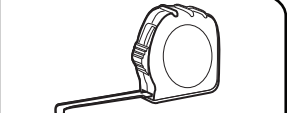


FORD RANGER T6 D/CAB

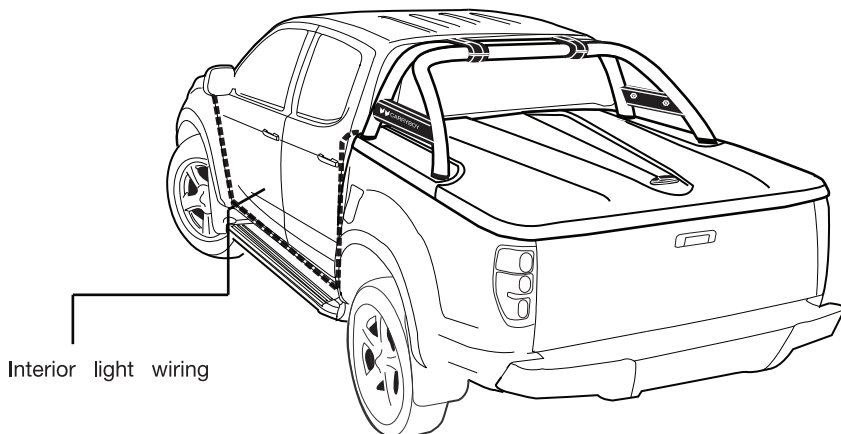
INSTALLATION PARTS

 1 Sport lid 1 set.	 2 Latch 2 pcs.	 3 Gas strut mounting bracket 2 pcs.	 4 Gas strut 2 pcs.	 5 bracket 5 pcs.	
 6 Head tapping screw 1/4 x 18 pcs.	 7 Washer M6 18 pcs.	 8 Bolt 5 pcs.	 9 Washer pvc 5 pcs.	 10 Washer M8 5 pcs.	 11 Spring washer M8 5 pcs.
 12 Nut M8 5 pcs.	 13 Ribber truck edge 2 pcs.	 14 Cable tie 6"	 15 Shock absorber sticker 2 pcs.	 16 Sticker sport lid	

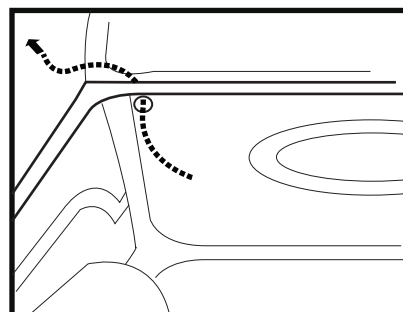
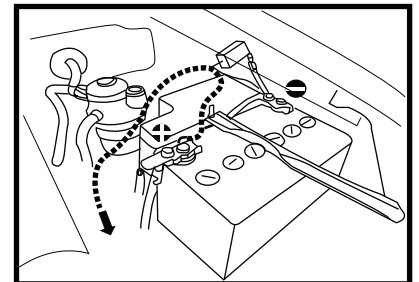
INSTALLATION TOOLS

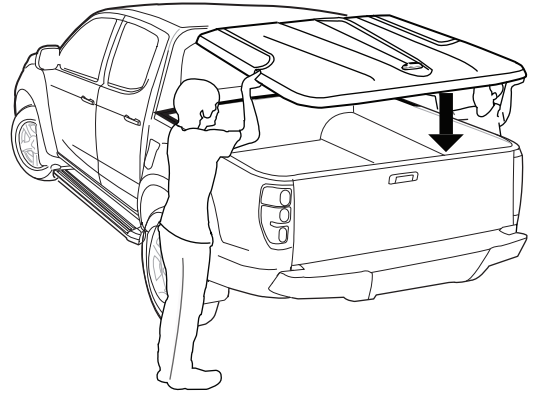
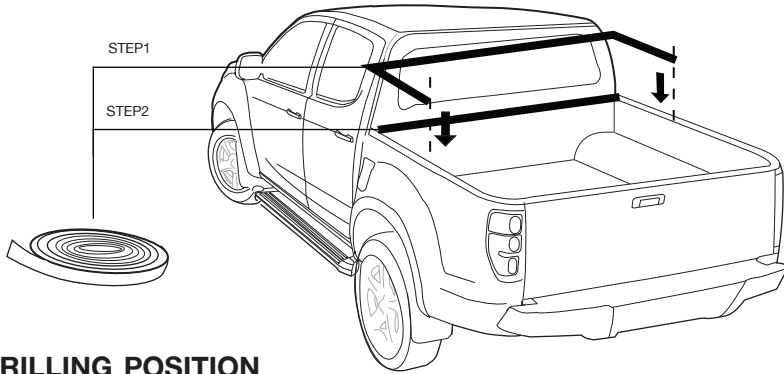
 1 Wrench No. 12,13	 2 Torque wrench # 13	 3 Drill Ø3.5 mm. Ø5 mm.	 4 Screw driver	 5 Measuring tape
---	--	---	---	--

WIRING DIAGRAM

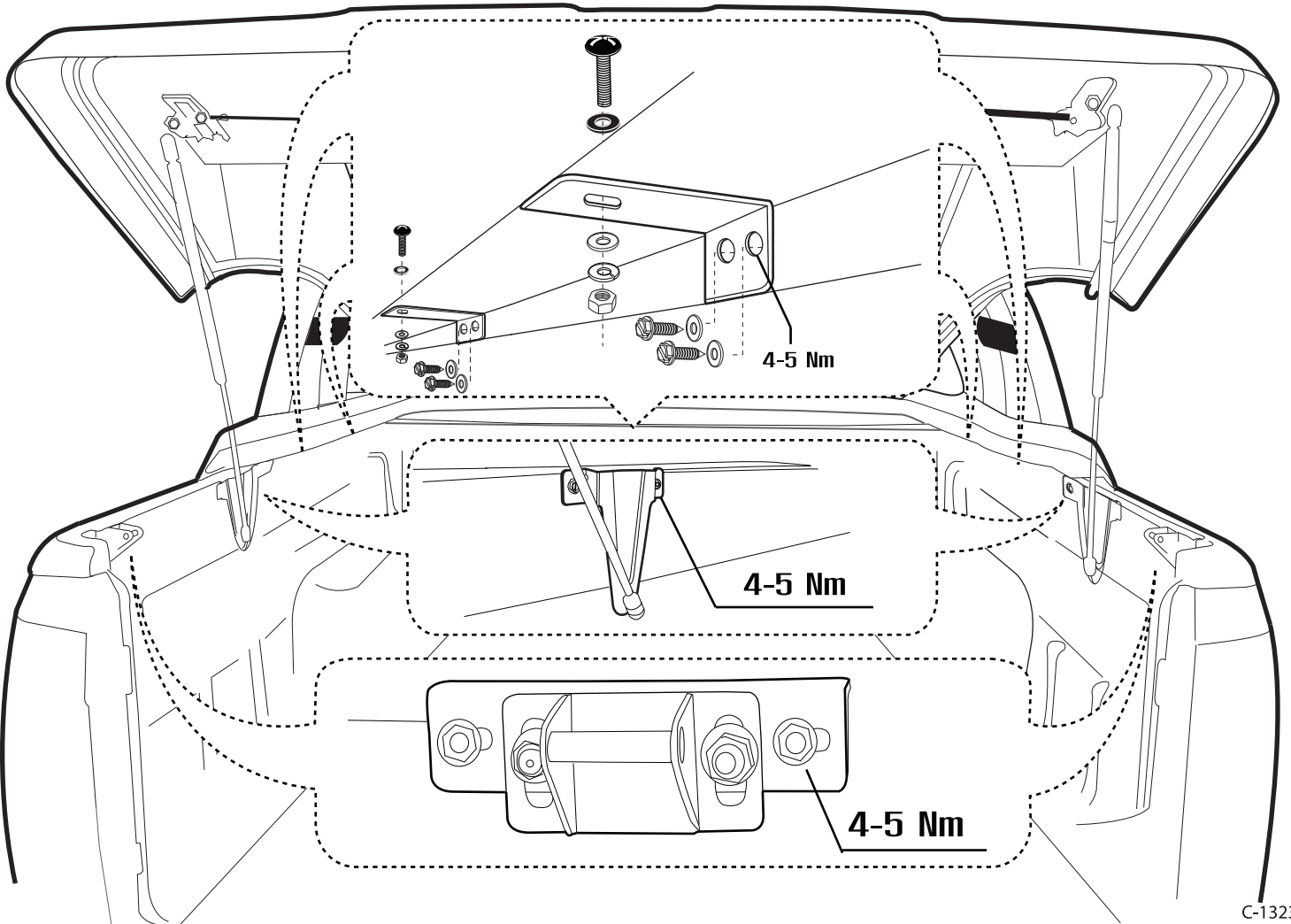
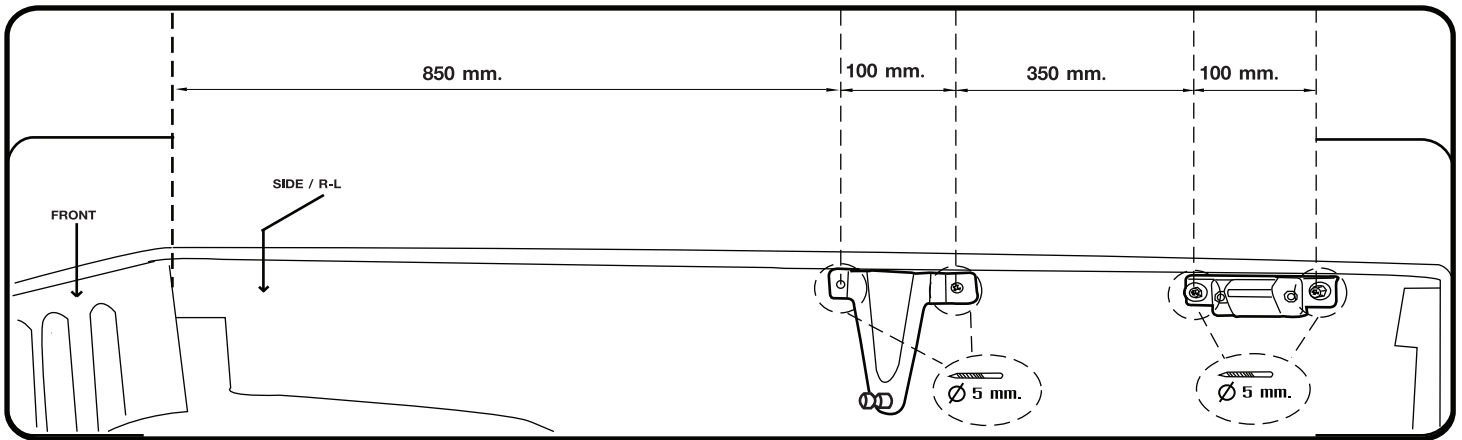


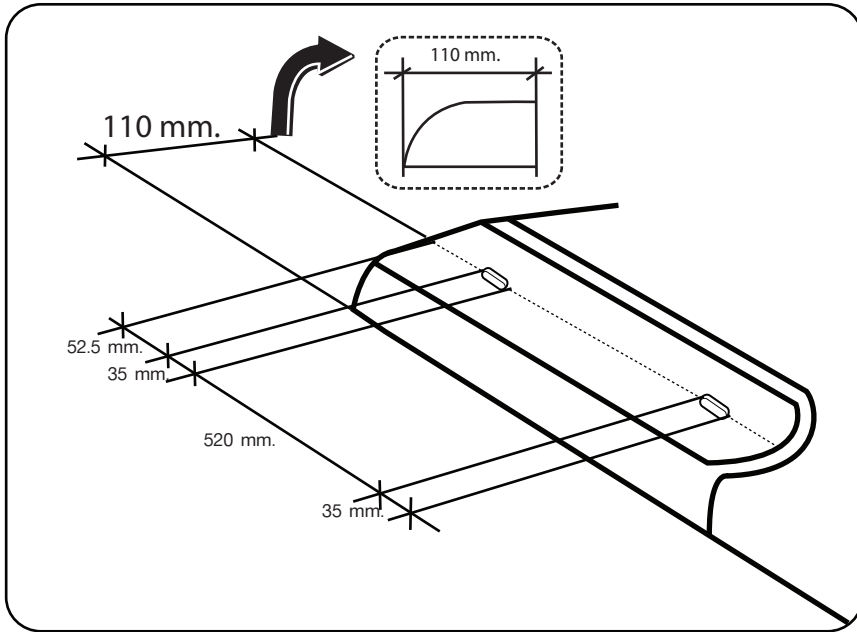
Interior light wiring



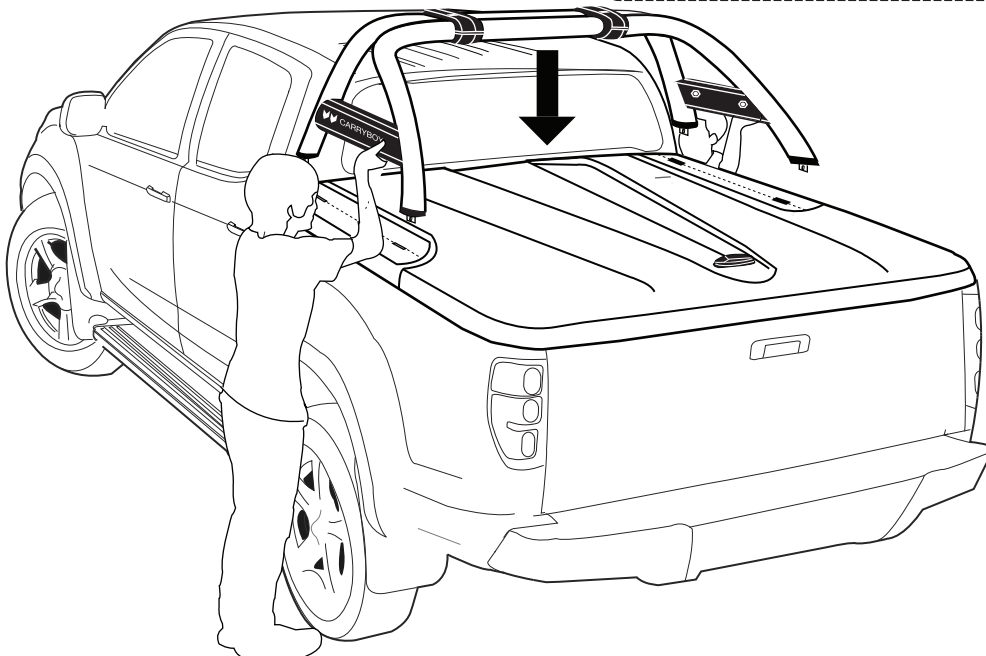
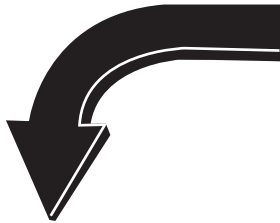
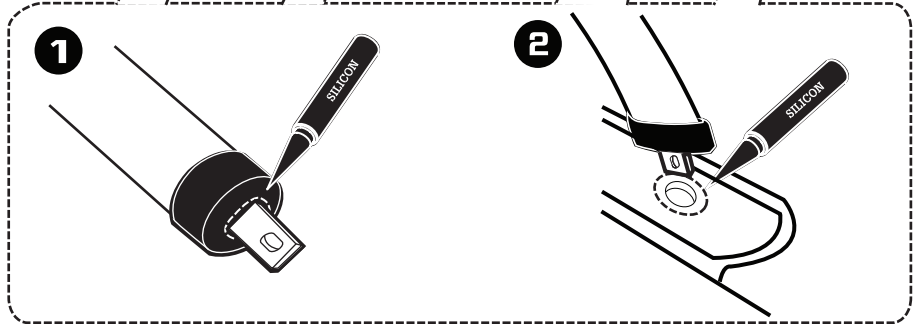
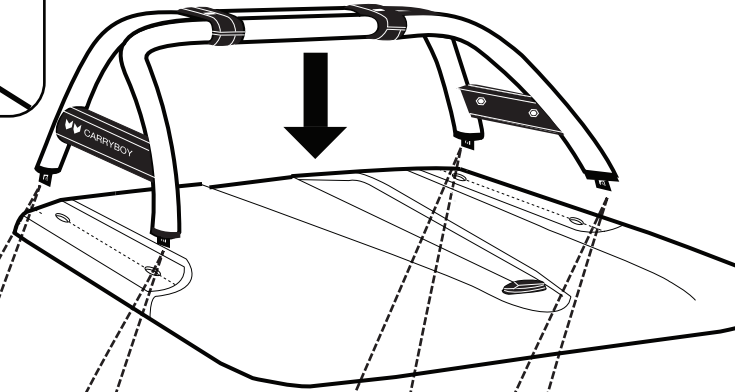


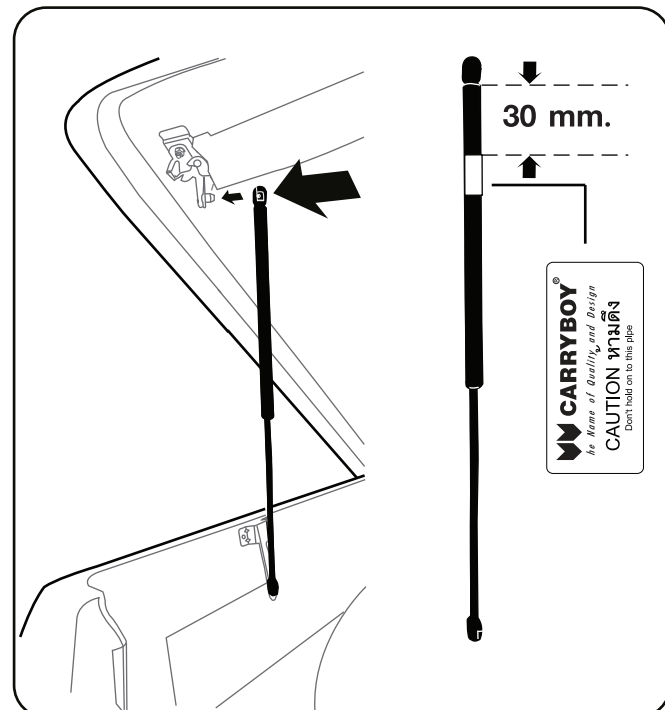
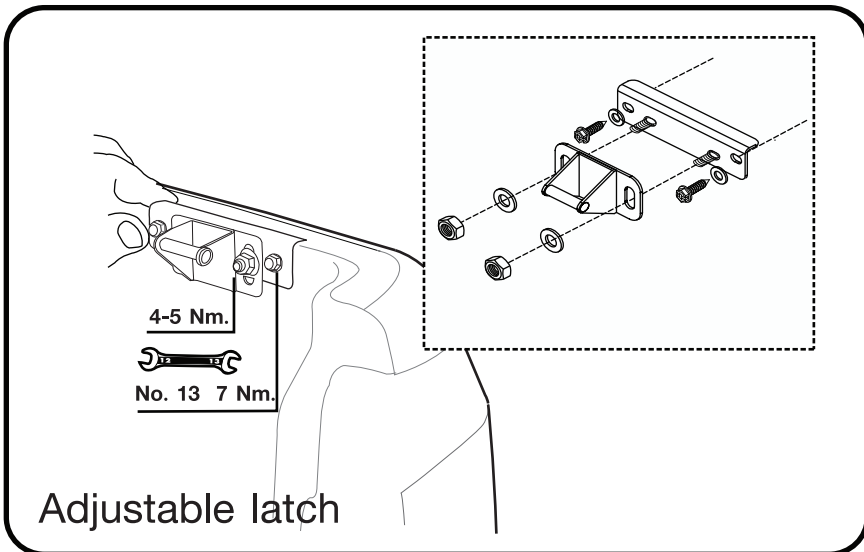
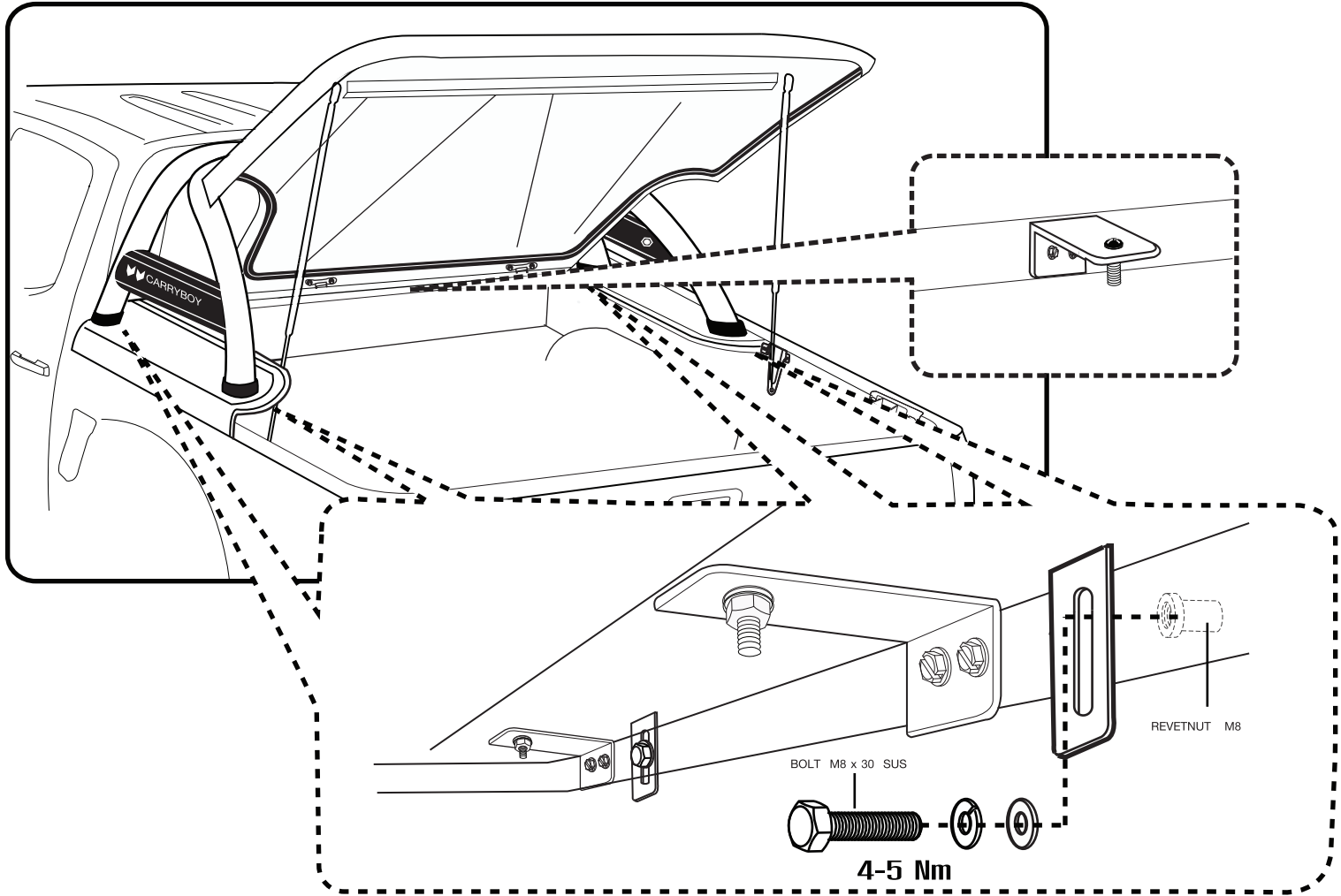
DRILLING POSITION

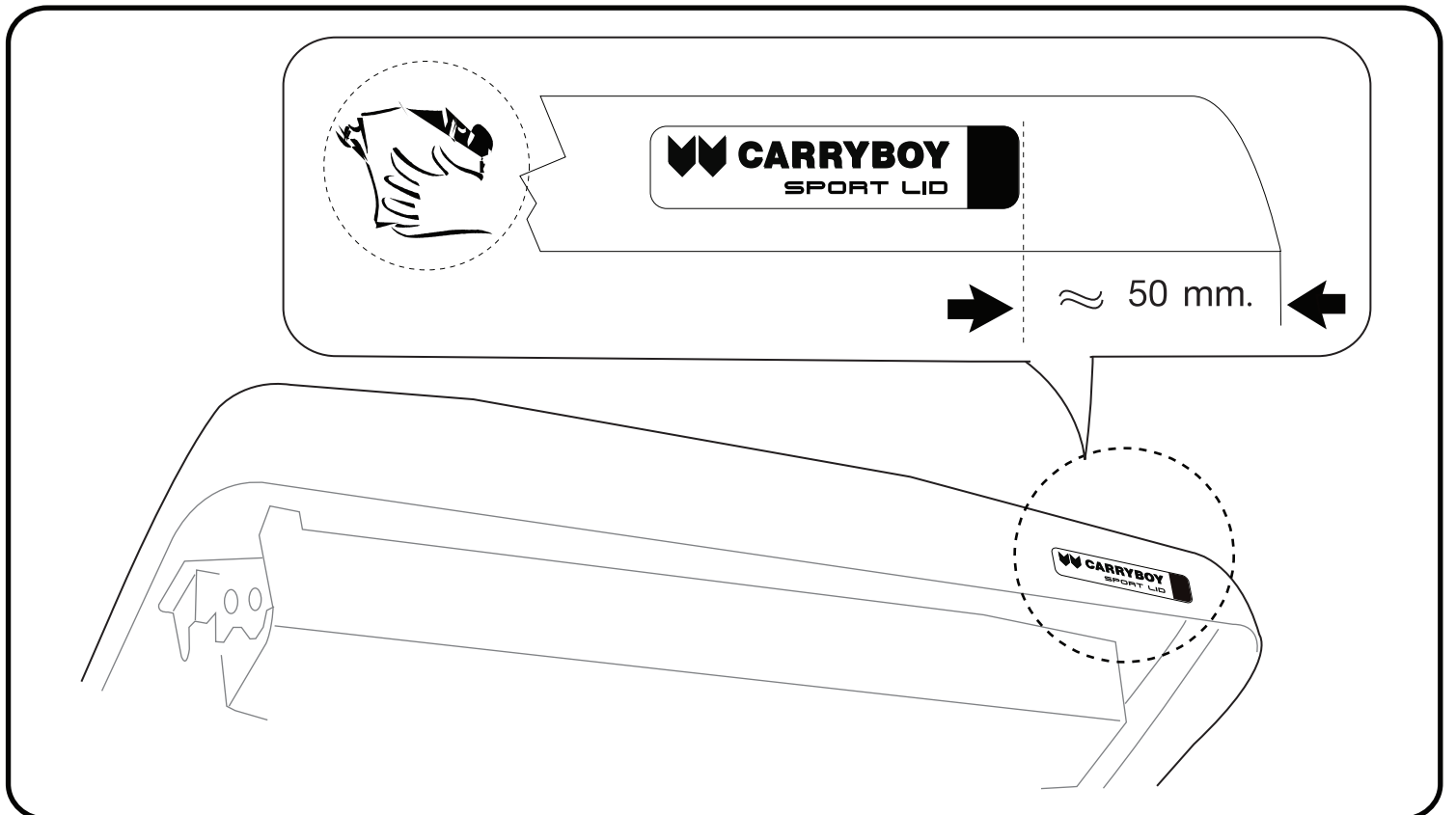
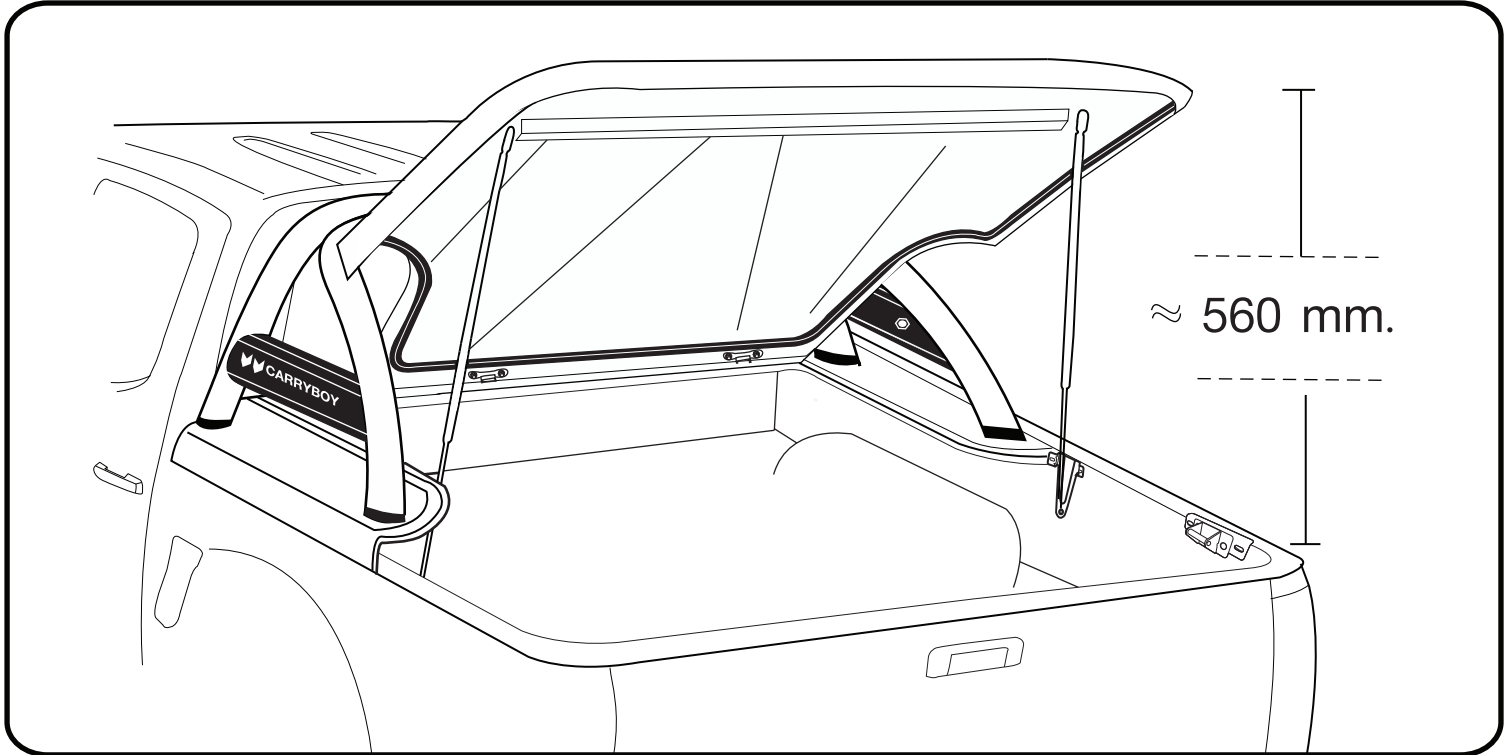




SEAL SILICON







CAUTION

* Tighten bolts, nuts, screws and lubricant parts every 5,000 km.